



Bobcat®

COMPACT EXCAVATORS

E50z

Operating Weight	4,819 kg
Engine Power	36.5 kW
Bucket Capacity	0.15 m ³



Bobcat SMS

Scan to enter Bobcat® YouTube Channel!

One Tough Animal®

E50z - SPECIFICATIONS

Weights

Operating weight	4,819 kg
Ground pressure	34.8 kPa
Add. weight for cabin	131 kg
Add. weight for steel track	125 kg

Engine

Make / model	V2403-M-DI-TE3B-BC-5
Fuel	Diesel
Number of cylinders	4
Displacement	2.4 L
Maximum power (SAE J1995)	36.5 kW (48.9 HP)
Maximum torque (SAE J1995)	183.0 Nm

Performance

Digging force, arm (ISO 6015)	22,171 N
Digging force, bucket (ISO 6015)	37,744 N
Drawbar pull	39,378 N
Travel speed (low)	2.9 km/h
Travel speed (high)	5.3 km/h

Hydraulic System

Pump type	Single outlet variable displacement, piston pump with gear pump
Pump capacity	138.6 L/min
Auxiliary flow	75.7 L/min
Auxiliary relief	210 bar

Swing System

Boom swing (left)	75.0°
Boom swing (right)	50.0°
Swing speed	8.5 RPM

Fluid Capacities

Cooling system	8.3 L
Engine oil and filter	7.1 L
Fuel tank	72.0 L
Hydraulic system	60.0 L

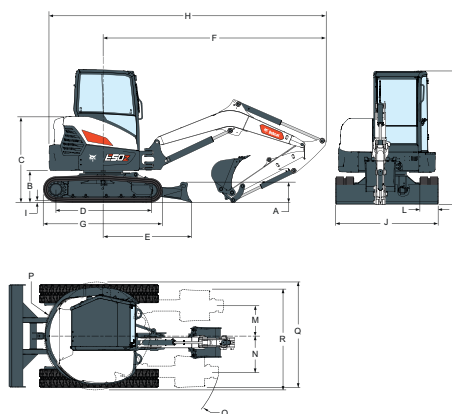
Standard Features

TOPS/ROPS/FOPS canopy	Auto shift travel
1,960 mm dozer blade	Work light
350 mm rubber tracks	Engine auto shutdown
Auxiliary hydraulics with quick couplers on arm	Key ignition
Horn	Auto idle
Hydraulic joystick controls	Joystick pattern selector
Retractable seat belt	Fingertip auxiliary hydraulic control
Vinyl suspension seat	Full fuel warning alarm
Cupholder	Boom and front lights

Options

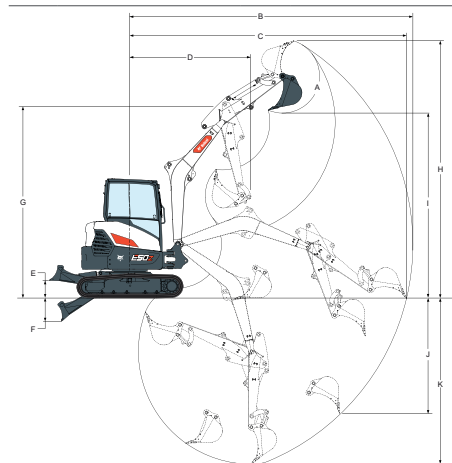
TOPS/ROPS/FOPS cab with air conditioner	X-change
TOPS/ROPS/FOPS cab with air conditioner and bluetooth audio	Geith coupler
Travel motion alarm	Hydraulics quick hitch ready
300 mm steel tracks	Hydraulic clamp
Keyless Ignition	5 inch display
Deluxe heated cloth suspension seat with headrest	Rear Lights
2nd Auxiliary hydraulics with quick couplers on arm	

Dimensions



(A)	373 mm	(J)	1,960 mm
(B)	608 mm	(K)	2,546 mm
(C)	1,640 mm	(L)	350 mm
(D)	1,803 mm	(M)	586 mm
(E)	1,692 mm	(N)	872 mm
(F)	4,250 mm	(O)	2,075 mm
(G)	2,276 mm	(P)	1,035 mm
(H)	5,395 mm	(Q)	2,010 mm
(I)	25 mm	(R)	1,997 mm

Working Range

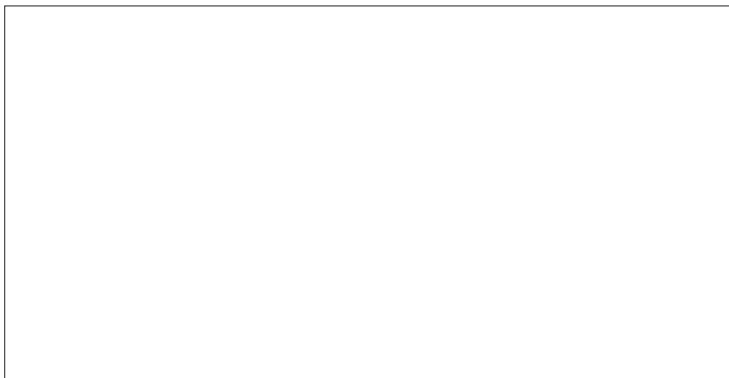


(A)	186°	(G)	4,195 mm
(B)	6,056 mm	(H)	5,499 mm
(C)	5,922 mm	(I)	4,015 mm
(D)	2,593 mm	(J)	2,462 mm
(E)	370 mm	(K)	3,553 mm
(F)	502 mm		

DOOSAN

Bobcat is a Doosan company.

Doosan is a global leader in construction equipment, power and water solutions, engines, and engineering proudly serving customers and communities for more than a century. | Bobcat and the Bobcat logo are registered trademarks of Bobcat Company in the United States and various other countries.
©2023 Bobcat Company. All rights reserved.



Bobcat®

Doosan Bobcat Korea Co., Ltd.

www.bobcat.com