



Bobcat®

COMPACT EXCAVATORS

E35z

Operating Weight	3362 kg
Engine Power	18.5 kw
Bucket Capacity	0.1m ³



Bobcat SNS

Scan to enter Bobcat® YouTube Channel!

One Tough Animal®

E35z — SPECIFICATIONS

Weights

Operating weight (ISO 6016)	3362 kg
Ground pressure	31.8 kPa
Add. weight for cabin	118 kg
Add. weight for long arm	303 kg
Add. weight for steel track	96 kg

Engine

Make / Model	Kubota / D1703.M-D1-E4B-BC-2 (Tier 4)
Fuel	Diesel
Number of cylinders	3
Displacement	1.6 L
Maximum power (SAE J1995)	18.5 kW (24.8 HP)
Maximum torque (SAE J1995)	97.4 Nm

Performance

Digging force, arm (ISO 6015)	20,790 N
Digging force, long arm (ISO 6015)	18,010 N
Digging force, bucket (ISO 6015)	33,430 N
Drawbar pull	34,132 N
Travel speed (low)	2.6 km/h
Travel speed (high)	4.7 km/h

Hydraulic System

Pump type	Single outlet variable displacement piston pump with gear pumps
Piston pump capacity	92.4 L/min
Auxiliary flow	63.9 L/min
Auxiliary relief	206.0 bar

Swing System

Boom swing (left)	75.0°
Boom swing (right)	55.0°
Swing speed	8.6 RPM

Fluid Capacities

Cooling system	8.0 L
Engine oil and filter	5.2 L
Fuel tank	52.0 L
Hydraulic system	39.7 L

Standard Features

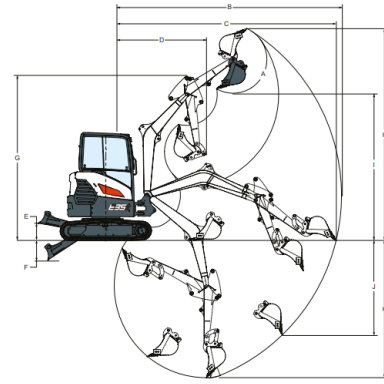
TOPS/ROPS/FOPS canopy ¹	Cupholder
1750 mm dozer blade	Auto shift travel
300 mm rubber tracks	Work light (boom mounted)
Auxiliary hydraulics with quick couplers on boom	Engine/hydraulic monitor with shutdown
Control console locks	Key ignition
Horn	Auto idle
Hydraulic joystick controls	Joystick pattern selector
Retractable seat belt	Fingertip auxiliary hydraulic control
Vinyl suspension seat	

1. Roll Over Protective Structure (ROPS) – Meets requirements of ISO 3471. Tip Over Protective Structure (TOPS) – Meets requirements of ISO 12117.
Falling Object Protective Structure (FOPS) - Meets requirements of ISO 3449.

Options

TOPS/ROPS/FOPS cab with heater	Auxiliary hydraulics with quick couplers on arm
TOPS/ROPS/FOPS cab with air conditioner	Auxiliary hydraulics with caps on boom
TOPS/ROPS/FOPS cab with air conditioner and bluetooth audio	Boom load holding valve
Travel motion alarm	Boom and arm load holding valve
Steel tracks	X-change
Long arm	Klacc coupler
Keyless ignition	Hydraulic pin grabber
Vinyl seat	Hydraulic quick hitch ready
Deluxe cloth suspension seat	Mirror kit
	Beacon kit
	Additional work lights kit

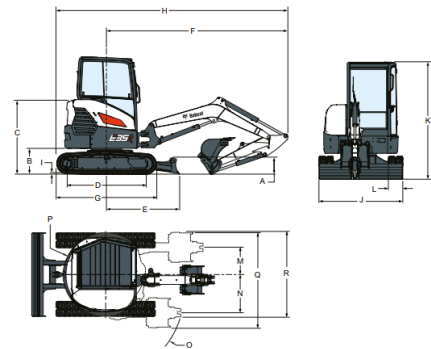
Working Range



(A)	185.0°	(G)	3708.0 mm
(B)	5351.0 mm	(H)	4804.0 mm
(B*)	5633.0 mm	(H*)	4985.0 mm
(C)	5230.0 mm	(I)	3437.0 mm
(C*)	5520.0 mm	(I*)	3618.0 mm
(D)	2267.0 mm	(J)	2136.0 mm
(D*)	2324.0 mm	(J*)	2414.0 mm
(E)	382.0 mm	(K)	3117.0 mm
(F)	456.0 mm	(K*)	3417.0 mm

* Long arm

Dimensions



(A)	322.0 mm	(I)	25.0 mm
(B)	540.0 mm	(J)	1750.0 mm
(C)	1557.0 mm	(K)	2455.0 mm
(D)	1647.0 mm	(L)	300.0 mm
(E)	528.0 mm	(M)	575.0 mm
(F)	787.0 mm	(N)	795.0 mm
(F*)	3796.0 mm	(O)	1788.0 mm
(G)	2074.0 mm	(P)	875.0 mm
(H)	4823.0 mm	(Q)	1982.0 mm
(H*)	4832.0 mm		

* Long arm

DOOSAN

Bobcat is a Doosan Company.

Doosan is a global leader in construction equipment, power & water solutions, engines, and engineering proudly serving customers and communities for more than a century. | Bobcat and the Bobcat logo are registered trademarks of Bobcat Company in the United States and various other countries.
©2023 Bobcat Company. All Rights Reserved.



Bobcat®

Doosan Bobcat Korea Co., Ltd.
www.bobcat.com